

Color Reader Whiteness Index CR-14

Simple operation

Only the functions necessary for use are provided. Even first-time users operate it easily.

Compact size and light weight

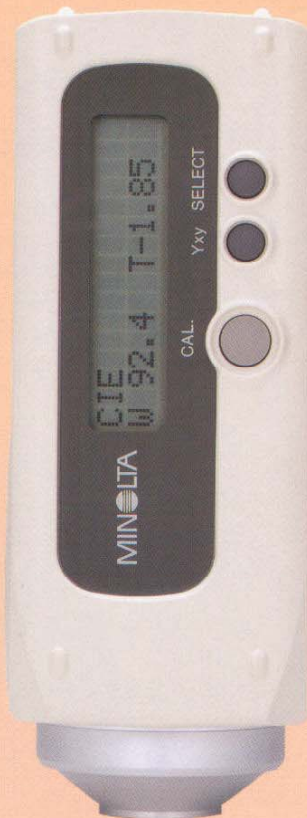
The compact design fits in the palm of your hand. The CR-14 is also battery operated, so you can take it almost anywhere.

Functions for convenient measurements

- Protective Cap allows direct measurements of powders or pastes without the need for filling a cell.
- Serial Printer Output
- Either four AA-size batteries or AC adapter can be used
- Vinyl Cover (optional accessory) protects CR-14 against dust.



- 1 Switch on the power.
 - 2 Select the display mode.
 - 3 Perform white calibration.
 - 4 Place on sample and press button.
- Measurement results are shown in the display.



Display examples

CIE Whiteness index.

CIE
W 92.3 T-2.05

An international method for expressing whiteness. The W value indicates the degree of whiteness, and the T value indicates the tint.

Yxy values can also be displayed in CIE mode.

Hunter Whiteness Index.

HUNTER
W 88.2

ASTM D1925 Yellowness Index and ASTM E313 Whiteness and Yellowness Indices can also be displayed.

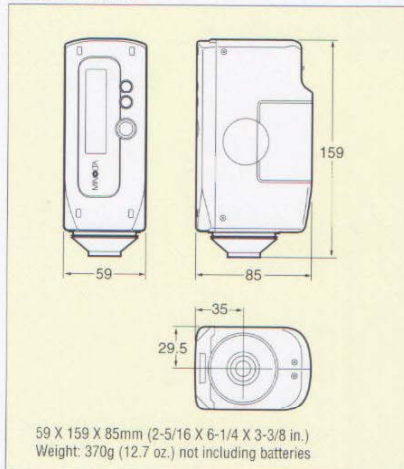
Specifications

Illuminating/viewing geometry	8/d (8° illumination angle/diffuse viewing; specular component excluded)
Measuring area	Approx. φ8mm
Display modes	Whiteness Index: CIE, Hunter, ASTM E313 Yellowness Index: ASTM E313, ASTM D1925 Yxy (Displayable in CIE display mode)
Repeatability	Standard deviation of Whiteness Index: CIE: 0.5, Hunter: 0.1 (Measurement conditions: When measuring white calibration plate)
Minimum interval between measurements	Approx. 1 sec.
Power source	Four AA-size batteries or optional AC Adapter AC-A12
Battery life	Alkaline-manganese batteries: Approx. 2000 measurements at 10-sec. intervals Ni-Cd batteries: Approx. 600 measurements at 10-sec intervals
Operating temperature range	0 to 40°C (32 to 104°F); less than 85% relative humidity no condensation
Storage temperature range	-20 to 40°C (-4 to 104°F) no condensation
Standard accessories	White Calibration Plate CR-A74, Soft Case CR-A68; Protective Cap CR-A79; Wrist Strap CR-A73; AA-size batteries (4)
Optional accessories	AC Adapter AC-A12; Printer Cable CR-A75; Vinyl Cover CR-A80

Specifications are subject to change without notice.

*Measurements of specimens which include fluorescent materials are not recommended.

Dimensions



Minolta Co., Ltd.

Minolta Corporation
Minolta Canada Inc.
Minolta GmbH
Minolta France S.A.
Minolta (UK) Limited
Minolta Austria Ges.m.b.H.
Minolta Camera Benelux B.V.
Minolta (Schweiz) AG
Minolta Svenska AB
Minolta Hong Kong Limited
Minolta Singapore (Pte) Ltd.

Radiometric Instruments Operations 2-30, Toyotsu-Cho, Suita-shi, Osaka 564, Japan

101 Williams Drive, Ramsey, New Jersey 07446, U.S.A.
 369 Britannia Road East, Mississauga, Ontario L4Z 2H5, Canada
 Kurt-Fischer-Strasse 50, 22923 Ahrensburg, Germany
 365-367, Route de Saint-Germain, 78420 Carrières-Sur-Seine, France
 Precedent Drive, Rookley Park, Milton Keynes, MK13 8HF, England
 Amalienstrasse 59-61, 1131 Wien, Austria
 Zonnebaan 39, P.O.Box 1364 3600 Maarssenbroek, The Netherlands
 Riedstrasse 6 8953 Dietikon, Switzerland
 Albygatan 114 P.O.Box 9058 S-17109 Solna, Sweden
 Room 208, 2/F, Eastern Centre, 1065 King's Road, Quarry Bay, Hong Kong
 10, Teban Gardens Crescent, Singapore 608923

Phone:201-818-3517 FAX:201-825-4374
 Phone:905-890-6600 FAX:905-890-7199
 Phone:04102-70-1 FAX:04102-70327
 Phone:01-30866000 FAX:01-30866399
 Phone:01908200400 FAX:01908200391
 Phone:087868-0 FAX:02228786218
 Phone:030-411411 FAX:030-413849
 Phone:01-7405311 FAX:01-7413312
 Phone:08-627-7650 FAX:08-627-7685
 Phone:2565-8181 FAX:2565-5601
 Phone:563-5533 FAX:561-9879

